

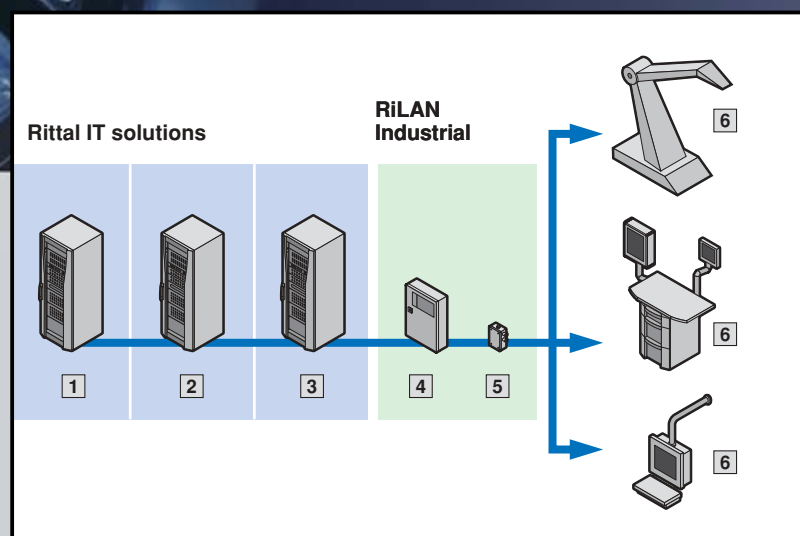


# Rittal – RiLAN Industrial



Components for structured  
Ethernet in a production environment

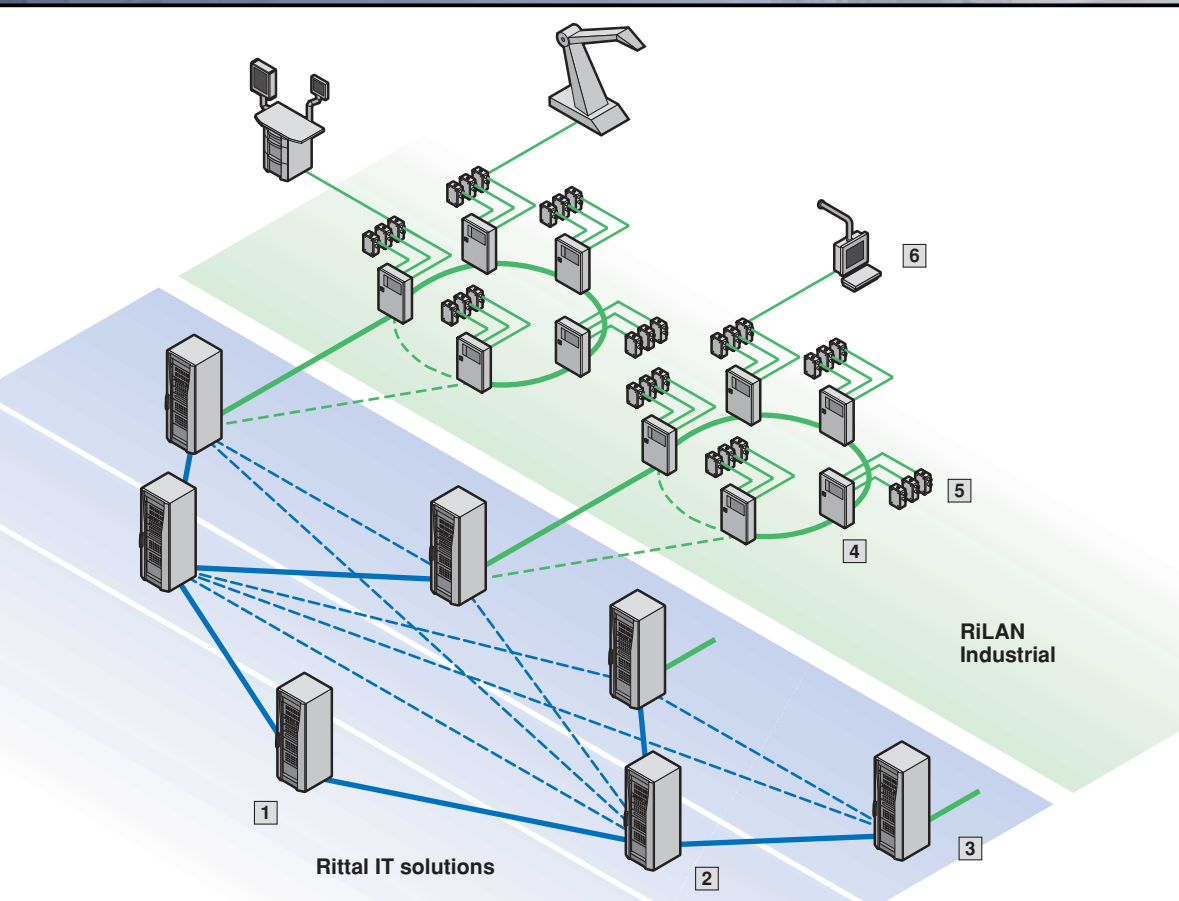
# Factory networking



## Different worlds are converging

Rittal offers a system solution to suit any network hierarchy, tailored to your specific individual requirements. RiLAN Industrial now offers an integrated Ethernet distributor concept extending deep into production.

RiLAN Industrial impressively combines outstanding Rittal know-how with system solutions in the fields of industrial and IT packaging. As an added extra, it also offers greater efficiency and enhanced security via the simplification of information exchange, process coordination and security monitoring.



- 1 Site distributor
- 2 Building distributor
- 3 Corridor/intermediate distributor
- 4 Industrial distributor
- 5 Junction box
- 6 Network user

Machinery and plant malfunctions can incur very high costs. Unlike the office sector, a redundant layout of the structured cabling in industrial sectors is extremely important for avoiding such scenarios. A redundant star cabling, a ring network or a combination of the two are just some examples of the many conceivable topologies available. A network structure of this kind supports flexible connection for controllers, industrial PCs, operator and display terminals, machine networks, industrial workstations and many other users – even with retrospective plant conversions.

# Perfect protection



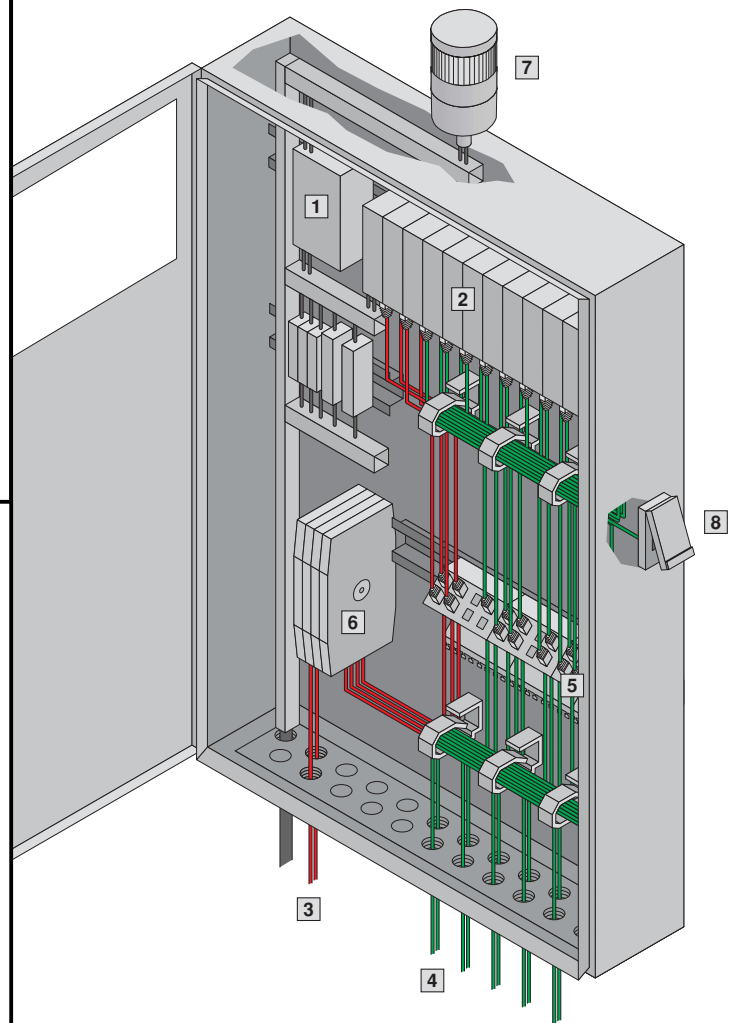
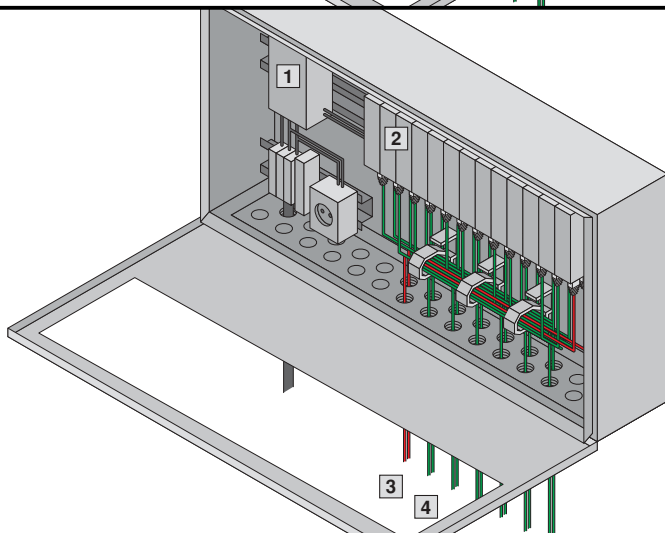
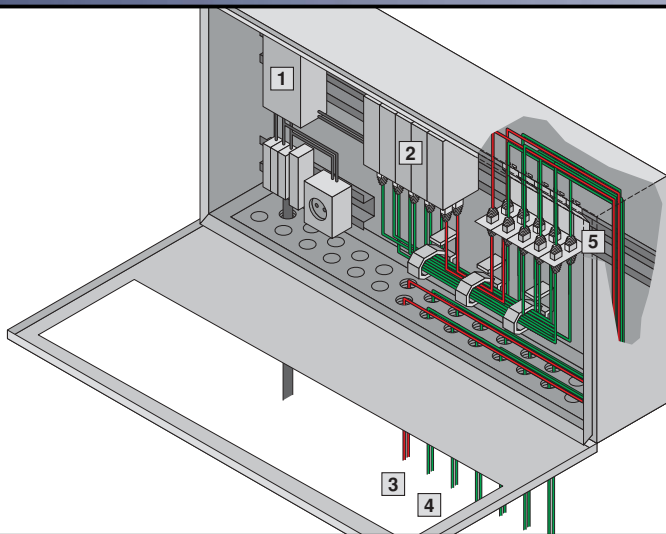
## Junction boxes

In tough industrial applications, these plastic or cast aluminium junction boxes enable reliable connection of the users. RiLAN Industrial – a range of components for Rittal's comprehensive system solutions.

Greater efficiency coupled with enhanced quality – this is the key to success in automation technology.

RiLAN Industrial provides the basis for the reliable exchange of information and data, combined with flexible plant structures. With standardised enclosures, individually configured, we can resolve your specific configuration requirements for industrial network junctions.

- |                             |  |
|-----------------------------|--|
| <b>1</b> Power pack         | <b>5</b> Patch panel                           |
| <b>2</b> Switch             | <b>6</b> Fibre-optic splicing cassette support |
| <b>3</b> Fibre-optic cables | <b>7</b> Signal pillar                         |
| <b>4</b> Copper data cable  | <b>8</b> Interface flap                        |



### Industrial distributor

Industrial distributors are a new component in structured cabling, designed to accommodate the growing level of decentralisation in industrial sectors.

Various installation variants for industrial distributors with or without patch panels are available. Particularly when constructing copper data paths, the use of patch panels offers decisive advantages. With this form of installation, a permanently wired section is created between the junction box and the patch panel, whose transmission properties may be certified in the form of an acceptance measurement. As such, this form of installation offers legal protection for both builders and operators of a network.

If you use recurrent configurations for various different applications, or if you place orders with a variety of sub-contractors, the components supplied may be pre-configured in the industrial distributor before it leaves the factory. This will save you time, as well as ensuring that you always receive your specified version.

## Junction boxes



### Junction box IP 67

#### Plastic

Junction box with PROFINET-compatible RJ 45 connector. For use in areas with more demanding requirements in terms of protection category, such as

- Industrial plant
- Warehouses and assembly halls
- Laboratories and workshops

#### Design:

- Robust enclosure for surface-mounting
- 2 RJ 45 jacks for cable AWG 22 – 24 (solid/flexible), Category 6 to ISO/IEC 11801:2002 and EN 50 173-1
- Cable infeed from above or below via cable glands
- Integral cable manager for secure cable routing
- Insulation stripping aid
- Protective flaps, captive, self-closing
- Option for adding a lead seal
- Watertight label panel.

#### Dimensions:

W x H x D: 90 x 152 x 69 mm

#### Material:

Polycarbonate, impact-resistant, halogen-free, UL 94-V0

#### Colour:

RAL 9011

#### Protection category:

IP 67 to EN 60 529

Packs of	Model No. IN
1	2203.500

#### Supply includes:

Enclosure with cable manager, 2 RJ 45 jacks, 2 cable glands, 1 sealing bung, assembly instructions.



### Junction box IP 65

#### Cast aluminium

Robust junction box for use in areas with more demanding requirements in terms of protection category and impact resistance. The RJ 45 connector is recommended by the IAONA.

#### Design:

- Robust enclosure for surface-mounting
- 2 side slots RJ 45 (right) Category 5 to ISO/IEC 11801:2002 and EN 50 173-1
- Connection via LSA connection strips on PCB
- Cable infeed via two M20 cable glands, capacity 5 – 13 mm.

#### Dimensions:

W x H x D: 80 x 125 x 57 mm (enclosure only)

#### Material:

Cast aluminium

#### Colour:

RAL 7035

#### Protection category:

IP 65 EN 60 529

#### Supply includes:

Enclosure with PCB and integral RJ 45 jacks, 2 cable glands M20, 1 sealing bung.

Packs of	Model No. IN
1	2203.600



### Empty enclosure for industrial distributor

W x H x D: 600 x 760 x 210 mm

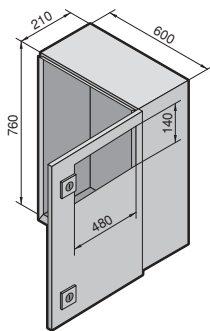
Offers space for Ethernet connection of 24 subscribers with patch panel.

**Material:**  
Sheet steel

**Surface finish:**  
Enclosure and door:  
Dipcoat-primed, powder-coated in textured RAL 7035 on the outside,  
Mounting plate: Zinc-plated

**Protection category:**  
IP 56/54 to EN 60 529  
(depending on the gland plate fitted).

**Supply includes:**  
Enclosure, one-door, without gland plate in the enclosure base, r/h door hinge, with 2 cam locks, polycarbonate viewing panel, foamed-in door seal, mounting plate.



Packs of	Model No. IN
1	1076.290 <sup>1)</sup>

<sup>1)</sup> Stainless steel and plastic versions available on request.

#### + Accessories:

Metal gland plate	Packs of	Model No. IN	Page
Solid	1	2563.150	8
Pre-punched	1	2203.010	8
With cable glands	1	2203.020	8
With grommets	1	2203.030	8

#### 🔧 Rittal service:

Mounting of components available from Rittal. Cut-outs e.g. for interface flaps, see page 13 and signal pillars, see page 14 and Cat. 31, page 1041.

**Detailed drawing,**  
see page 19.



### Empty enclosure for industrial distributor

W x H x D: 600 x 300 x 125 mm

Provides space for Ethernet connection of

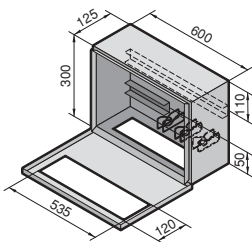
- up to 24 users without patch panel
- up to 12 users with patch panel.

**Material:**  
Sheet steel

**Surface finish:**  
Case and cover:  
Dipcoat-primed, powder-coated in textured RAL 7035 on the outside

**Protection category:**  
IP 65 to EN 60 529  
(with fitted gland plate)

**Supply includes:**  
Enclosure, without gland plate in the enclosure base, lid hinged at the bottom, opening angle of lid limited to 90° by a retaining cord, 3 quick-release fasteners for screwdrivers, polycarbonate viewing panel, foamed-in lid seal, 2 fitted support rails TS 35/7.5 (590 and 150 mm long), 3 fitted cable shunting rings DK 7112.000.



Packs of	Model No. IN
1	1510.280

#### + Accessories:

Metal gland plate	Packs of	Model No. IN	Page
Solid	1	2207.010	8
Pre-punched	1	2207.020	8
With cable glands	1	2207.030	8

#### 🔧 Rittal service:

Mounting of components available from Rittal. Cut-outs e.g. for interface flaps, see page 13 and signal pillars, see page 14 and Cat. 31, page 1041.



### Network enclosures in the IT sector

Detailed information can be found in the Cat. 31, from page 682.

## Cable entry



### Metal gland plates

#### solid/pre-punched/ with cable glands

##### Design:

- Solid
- With 27 pre-punchings for cable glands M20 x 1.5.  
Simply knock out the holes using a screwdriver.
- With 27 polyamide cable glands M20 x 1.5.

##### Material:

Sheet steel

##### Colour:

Textured RAL 7035

##### Protection category:

IP 66 to EN 60 529  
when mounting in the usual position, bottom.



for IN 1076.290	Design	Packs of	Model No. IN
534 x 149 mm	Solid	1	2563.150
	Pre-punched	1	2203.010
	With cable glands	1	2203.020

for IN 1510.280	Design	Packs of	Model No. IN
555 x 92 mm	Solid	1	2207.010
	Pre-punched	1	2207.020
	With cable glands	1	2207.030



#### Accessories:

Sealing bungs for sealing any cable glands that are not required, see page 9.  
Cable glands M20 x 1.5, see page 9.



#### Rittal service:

Cut-outs for other interfaces.



### Metal gland plate

#### with grommets

##### Design:

Including 4 inserts each with 8 grommets for cable diameters up to 13 mm.

##### Material:

Gland plate: Sheet steel, zinc-plated, passivated

Cable entry grommet:

Body: Polypropylene.

Cover: Thermoplastic elastomer.

##### Protection category:

IP 54 to EN 60 529  
when mounting in the usual position, bottom.

for IN 1076.290	Packs of	Model No. IN
534 x 149 mm	1	2203.030



### Cable gland, brass

**Material:**  
Nickel-plated brass, neoprene seal

**Protection category:**  
IP 68 (5 bar, 30 min.) to EN 60 529/10.91

**Supply includes:**  
Lock nut

**Approval:**  
VDE tested to EN 50 262

Size	Cable diameter mm	Packs of	Model No. SZ
M12 x 1.5	3 – 6.5	15	2411.800
M16 x 1.5	4.5 – 10	15	2411.810
M20 x 1.5	6 – 12	10	2411.820
M25 x 1.5	11 – 17	10	2411.830
M32 x 1.5	15 – 21	5	2411.840



### Cable gland, polyamide

**Material:**  
Polyamide 6, neoprene seal

**Colour:**  
RAL 7035

**Protection category:**  
IP 68 (5 bar, 30 min.) to EN 60 529/10.91

**Supply includes:**  
Lock nut

**Approval:**  
VDE tested to EN 50 262

Size	Cable diameter mm	Packs of	Model No. SZ
M12 x 1.5	3 – 6.5	50	2411.600
M16 x 1.5	4.5 – 10	50	2411.610
M20 x 1.5	6 – 12	50	2411.620
M25 x 1.5	11 – 17	25	2411.630
M32 x 1.5	15 – 21	15	2411.640



### Multi-seal inserts

For the secure entry of several individual cables into a single cable gland.

**Material:**  
Neoprene

Size	Cable diameter mm	Number of cables	Packs of	Model No. SZ
M20	5	3	25	2411.502
	6	2	25	2411.503
M25	5	4	25	2411.506
	6	3	25	2411.507
M32	5	6	25	2411.510
	6	6	25	2411.511



### Stoppers

For the reliable sealing of unused cable entries. Simply insert into the multi-seal inserts instead of a cable, and clamp via the cable gland. Length 14 mm.

**Material:**  
Polyamide 6

Diameter mm	Packs of	Model No. SZ
5	25	2411.522
6	25	2411.523



### Sealing bung for cable glands M20 x 1.5

For use in all situations where pre-installed cable glands M20 x 1.5 must be kept free for future installations but properly sealed. Simply loosen the cap nut, mount the sealing bung, and retighten.

**Material:**  
Polyamide 6

**Colour:**  
RAL 7035

Packs of	Model No. SZ
25	2411.532

## Cable entry



### Double-membrane gland

**For wall thicknesses from 1.5 to 4.5 mm**

A high protection category can be achieved with cable entry, thanks to the double seal.

**Material:**

Plastic to UL 94-HB

**Protection category:**

IP 66 with careful cable entry.

For hole	Sealing range mm	Packs of	Model No. SZ
M16	5 – 9	50	<b>2898.160</b>
M20	7 – 12	50	<b>2898.200</b>
M25	9 – 16	50	<b>2898.250</b>
M32	14 – 21	25	<b>2898.320</b>



### Stepped collar

**For wall thicknesses from 1.5 to 4.5 mm**

For cable entry, simply cut off at the required level to match the cable diameter.

**Material:**

Plastic to UL 94-HB

**Protection category:**

IP 54 with careful cable entry.

For hole	Sealing range mm	Packs of	Model No. SZ
M20	5 – 16	100	<b>2899.200</b>
M25	5 – 21	50	<b>2899.250</b>
M32	13 – 26.5	25	<b>2899.320</b>



### Connector gland

**modular**

For pre-assembled cables with connectors. For mounting on 24-pole or 16-pole connector cut-outs in:

- Module plates for TS divider panel
- Metal gland plates

**Material:**

Plastic to UL 94-V0

**Protection category:**

IP 54 provided the correct connector grommet is selected.

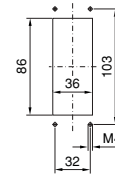
**Supply includes:**

Assembly parts.

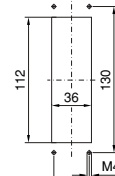
**Note:**

Temperature range: -40°C to +120°C

For cut-outs	For number of connector grommets	Model No. SZ
24-pole	10	<b>2400.700</b>
16-pole	8	<b>2400.710</b>



16-pole



24-pole



### Connector grommets

To seal cables in conjunction with the connector gland and option of strain relief via cable ties.

**Material:**

Thermoplastic rubber

**Protection category:**

IP 54 provided the correct connector grommet is selected.

For cable diameter mm	Packs of	Model No. SZ
5 – 6	10	<b>2400.720</b>
6 – 7	10	<b>2400.730</b>
7 – 8	10	<b>2400.740</b>
8 – 9	10	<b>2400.750</b>
9 – 10	10	<b>2400.760</b>
10 – 11	10	<b>2400.770</b>
11 – 12	10	<b>2400.780</b>
12 – 13	10	<b>2400.790</b>
Solid	10	<b>2400.800</b>



### Cover plate

#### for RJ 45 connector

For unused cut-outs, or may be equipped with cut-outs such as RJ 45 connectors.

#### Material:

Sheet steel, zinc-plated, passivated

#### Supply includes:

Seal and assembly parts.

For cut-outs	Packs of	Model No. SZ
24-pole	20	<b>2477.000</b>
16-pole	20	<b>2478.000</b>



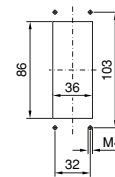
#### Accessories:

Module plates for TS divider panel, see Cat. 31, page 859.

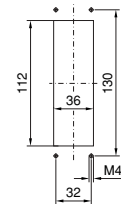


#### Rittal service:

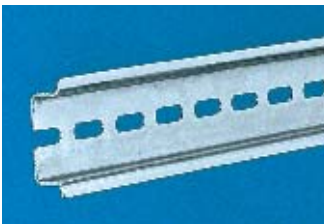
Cut-outs for interfaces.



16-pole



24-pole



### Support rails TS 35/7.5 and TS 35/15

to EN 50 022

Version	Length mm	Packs of	Model No. SZ
TS 35/7.5	137	10	<b>2314.000</b>
	187	10	<b>2315.000</b>
	287	10	<b>2316.000</b>
	387	10	<b>2317.000</b>
	2000	6	<b>2313.750</b>
TS 35/15	487	10	<b>2318.000</b>
	587	10	<b>2319.000</b>
	2000	6	<b>2313.150</b>



#### Accessories:

Screws, see page 18.



### Mounting clip

#### for support rails

For fast, secure attachment of patch panels or other installation components on support rail TS 35/7.5 and TS 35/15 to EN 50 022. Simply pre-assemble the mounting clip on the part to be installed, then snap into position on the support rail.

Packs of	Model No. SZ
30	<b>2309.000</b>

**German patent no. 195 44 083**  
**European patent no. 0 776 077**  
**with validity for ES, FR, IT, SE**

## Installation accessories



### Patch panels

With slots, prepared for cable clamping with cable ties SZ 2597.000.

#### Design:

Suitable for direct attachment on mounting plates and, by using mounting clip SZ 2309.000, also on support rails.

#### Material:

Sheet steel, zinc-plated, passivated

#### Supply includes:

Assembly parts.



#### Accessories:

Mounting clip SZ 2309.000, see page 11.  
Cable tie SZ 2597.000, see page 15.



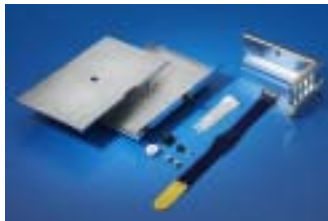
Manufacturer	Usable modules	Packs of	Model No. IN		
			1 slot	2 slots	8 slots
ADC KRONE	RJ 45 KM8 STP	1	–	<b>2203.260<sup>1)</sup></b>	<b>2203.270<sup>1)</sup></b>
BTR	RJ 45 E-DAT module 8 (8) Cat. 6	1	–	<b>2203.200<sup>1)</sup></b>	<b>2203.210<sup>1)</sup></b>
Corning Cable Systems	RJ 45 FutureCom™ S250 module	1	–	<b>2203.220<sup>1)</sup></b>	<b>2203.230<sup>1)</sup></b>
Dätwyler	RJ 45 unilan® module MS 1/8 Cat. 6	1	–	<b>2203.200<sup>1)</sup></b>	<b>2203.210<sup>1)</sup></b>
Reichle & De-Massari (R&M)	RJ 45 connection module Cat. 5e and Cat. 6, fibre-optic couplings SC-RJ and E2000™ Compact (via module recess)	1	<b>2203.110</b>	<b>2203.120</b>	<b>2203.160</b>
Tyco Electronics Corporation (AMP NETCONNECT)	RJ 45 SL series (Toolless Jacks, 110Connect Jacks, AMP-TWIST-6S Jacks)	1	–	<b>2203.240<sup>1)</sup></b>	<b>2203.250<sup>1)</sup></b>

FutureCom is a brand name of Corning Cable Systems Brands, Inc.

unilan is a registered trademark of Dätwyler Kabel+Systeme.

AMP NETCONNECT and AMP-TWIST are brand names of Tyco Electronics Corporation.

<sup>1)</sup> Available from August 2005.



### Fibre-optic splicing cassette support

To accommodate up to 4 splicing cassettes to DIN 47 662.

The cassettes may be removed individually, to avoid damaging intact connections during maintenance work.

May be installed in two positions on the mounting plate or on punched sections, to ensure space-saving integration.

There is plenty of space for buffered fibres. Strain relief of buffered fibres and cable pigtailed may be provided from above and below using cable ties.

#### Dimensions:

W x H x D: 104 x 250 x 165 mm

#### Material:

Sheet steel, zinc-plated, passivated

#### Supply includes:

Assembly parts.

	Packs of	Model No. IN
Holder and support for 1 splicing cassette (maximum configuration: 4 supports)	1	<b>2203.300</b>
Support for 1 splicing cassette (extension)	1	<b>2203.310</b>

Available from August 2005.





### Interface flaps

For use in all situations where rapid access to interfaces and sockets is needed. The affected enclosure remains closed and is therefore protected from ambient influences and unauthorised access.

Space-saving installation e.g.

- in **small enclosures and compact enclosures** as a programming interface for controllers
- in **industrial enclosures** as maintenance access for networks
- in **PC enclosures and console systems** for the temporary connection of additional equipment
- in mobile **Industrial Workstations** for rapid connection to existing network structures
- in **Command Panel systems** for programming and maintenance of integral components.

The mounting frame has a flap which snaps into position in various stages at opening angles of 90 to 180°. A snap fastener ensures a reliable seal. This may be locked if required.

An extensive selection of components facilitates individual configuration and provides the right solution to suit every application.

#### Material:

Mounting frame and metal flap:

Fine die-cast zinc, matt nickel-plated

Plastic flap: Polycarbonate (semi-transparent)

Lock: Polycarbonate, RAL 7024

#### Protection category:

IP 65 to EN 60 529 with sealed flap and proper assembly.



#### Rittal service:

Cut-outs and mounting in many Rittal enclosures.

**For detailed drawing and mounting dimensions,** see page 19.

Description	Packs of	Model No. SZ
<b>Mounting frame<sup>1)</sup></b>		
<b>1</b> Single, with plastic flap (semi-transparent)	1	<b>2482.300</b>
<b>2</b> Double, with plastic flap (semi-transparent)	1	<b>2482.310</b>
<b>3</b> Single, with metal flap	1	<b>2482.320</b>
<b>4</b> Double, with metal flap	1	<b>2482.330</b>
<b>Socket modules</b>		
<b>5</b> Germany (VDE), spring-action terminals max. 2 x 2.5 mm <sup>2</sup> , connection at rear	1	<b>2482.400<sup>3)</sup></b>
<b>6</b> Germany (VDE), screw terminals max. 6 mm <sup>2</sup> , connection at rear, Colour: yellow (RAL 1016), for installation in front of main switch	1	<b>2482.410<sup>3)</sup></b>
<b>Interface inserts</b>		
<b>7</b> 2 x SUB-D9 (jack/pin)	1	<b>2482.500</b>
<b>8</b> SUB-D9 (jack/jack)	1	<b>2482.510</b>
<b>9</b> SUB-D9 (jack/pin), SUB-D25 (jack/pin)	1	<b>2482.520</b>
<b>10</b> SUB-D25 (jack/pin)	1	<b>2482.530</b>
<b>11</b> 2 x USB version A (jack/jack)	1	<b>2482.540<sup>2)</sup></b>
<b>12</b> RJ 45 (jack/jack, Cat. 5e), SUB-D9 (jack/jack), SUB-D9 (pin/pin)	1	<b>2482.550</b>
<b>13</b> 2 x RJ 45 (jack/jack, Cat. 5e)	1	<b>2482.560<sup>2)</sup></b>
<b>14</b> USB version A (jack/jack), RJ 45 (jack/jack, Cat. 5e), SUB-D9 (jack/pin)	1	<b>2482.570<sup>2)</sup></b>
<b>15</b> RJ 45 (jack/jack, Cat. 5e), SUB-D9 (jack/pin), SUB-D25 (jack/pin)	1	<b>2482.580</b>
<b>16</b> Blanking plate (slimline), for individual population, usable area: 45 x 75 mm	1	<b>2482.590</b>

<sup>1)</sup> Electrically conductive.

<sup>2)</sup> Conductively connected to mounting frame.

<sup>3)</sup> Rated voltage: 250 V AC, rated voltage (DC/AC): 10 A/16 A

Other socket modules and interface inserts available on request.



**1**



**2**



**3**



**4**



**5**



**6**



**7**



**8**



**9**



**10**



**11**



**12**



**13**



**14**



**15**



**16**

## Installation accessories, cable routing



### Signal pillar, LED compact 1-stage, red

Suitable for use e.g. to display error statuses in enclosures, machines and equipment, or as a CMC alarm signalling lamp.

#### Benefits:

- Complete solution, ready to connect
- Minimal build height
- Extremely long service life of the LEDs (at least 70,000 h) – therefore maintenance-free

#### Technical specifications:

Operating voltage: 24 V AC/DC  
 Electrical connection: Screw terminals  
 Light: LED  
 Transmission angle: 3 x 120°  
 Operating temperature: -20 to +70°C  
 Cable entry: Metric cable gland  
 M12 x 1.5 for cable diameter 3.0 – 6.5 mm

#### Protection category:

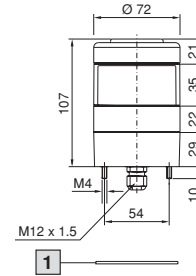
IP 65 to EN 60 529/10.91

Packs of	Model No. SG
1	2372.130

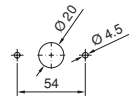
#### ! Also required:

For wall mounting:  
 Bracket for wall mounting, SG 2372.110,  
 see Cat. 31, page 1044.

For conduit mounting/support arm systems:  
 Connection adaptor, SG 2372.120,  
 see Cat. 31, page 1041.



Mounting cut-out



1 Seal



### Cable shunting ring

For flexible, system-compatible cable routing.

#### Material:

Sheet steel, zinc-plated, passivated

#### Supply includes:

Assembly parts.

Dimensions mm	Packs of	Model No. DK
120 x 60	10	7111.000
80 x 37	10	7112.000

German patent no. 38 13 002



### Cable duct

Fixed length: 2000 mm  
 Member width: 5.5 mm  
 Slot width: 4.5 mm

#### Material:

Hard PVC, hardly inflammable,  
 self-extinguishing,  
 temperature-resistant to +60°C

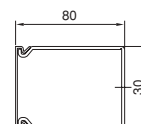
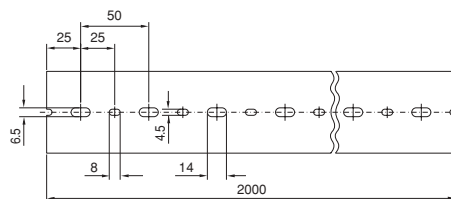
#### Colour:

Similar to RAL 7030

#### Supply includes:

1 set =  
 1 cable duct with cover.

Packs of	Model No. TS
24 sets	8800.750





### Plastic rivet

Easily mounted with a standard commercially available blind rivet tool.  
For fastening the cable ducts in the hole  
Ø 4.5 mm

Packs of	Model No. TS
100	8800.530



### PS punched rails 23 x 23 mm

For use as patch cable routing in conjunction with the cable attachment.  
With this form of routing, the patch cables are not bundled and may be removed individually.

**Material:**  
Sheet steel, zinc-plated, passivated

Length mm	Packs of	Model No. PS
295	12	4169.000
395	12	4170.000
495	12	4171.000
695	12	4172.000

#### + Accessories:

Screws,  
see page 18.



### Cable fastening

For professional, secure fastening of cables.  
For fastening, simply slide into the mounting rail  
23 x 23 mm.

**Material:**  
Polyamide

For cable diameter from – to mm	Packs of	Model No. PS
6 – 9	50	4319.090
9 – 12	50	4319.120



### Nylon loop

Ensures orderly cable routing.  
Supplied on a reel for cutting to the required length.

Unlike cable ties,  

- protects the cable sheathing
- easily reopened
- reusable

Length mm	Width mm	Packs of	Model No. IN
5000	16	1	2203.400



### Cable ties

The super-fast solution for bundling of cables.

Length mm	Packs of	Model No. SZ
150	100	2597.000

## Locks



### Plastic handles

for installation in industrial distributor  
600 x 760 x 210 mm.

With cylinder insert.

Lock no. 3524 E including assembly parts, seal and 2 keys.

Colour	Model No. SZ
RAL 9011	2576.000
RAL 7030	2439.000
RAL 9011	2533.000 <sup>1)</sup>

<sup>1)</sup> without cylinder insert



### T handles

for installation in industrial distributor  
600 x 760 x 210 mm.

**Material:**

Die-cast zinc, chrome-plated

**Supply includes:**

Seal and 2 keys.

Design	Model No. SZ
With lock insert, lock no. 3524 E	2575.000
Without lock insert	2572.000



### Cam locks

for installation in industrial distributor  
600 x 760 x 210 mm.

Housing of fibre-glass reinforced polyamide.

With lock no. E1.

Only for use with **VW, SEAT, Audi, SkodaAuto.**

Supplied without key.

Other locks available on request.

Colour	Model No. SZ
RAL 7035	2540.500



### Lock inserts

for installation in industrial distributor  
600 x 760 x 210 mm.

**Material:**

Die-cast zinc

Length 27 mm	Model No. SZ
7 mm square	2460.000
8 mm square	2461.000
7 mm triangular	2462.000
8 mm triangular	2463.000
Screwdriver	2464.000
Daimler insert	2465.000
3 mm double-bit	2466.000
Fiat	2307.000
6,5 mm triangular (CNOMO)	2460.650



### Semi-cylinder lock

**for installation in industrial distributor  
600 x 760 x 210 mm  
with standard lock and cam lock.**

The cover plate is locked by semi-cylinders with a total length of 40/45 mm (to DIN 18 254). An additional cover protects the cylinder against dirt. The protection category of the enclosure is not impaired.

Supplied without semi-cylinder.

**Material:**

Die-cast zinc

Design	<b>Model No. SZ</b>
RAL 7035	<b>2534.100</b>

**German patent no. 195 12 280  
European patent no. 0778 913  
with validity for GB, FR, IT  
US patent no. 5,916,282  
Jap. patent no. 3.088.465**



### Lock cover

**For padlocks or multiple locks**

For retrospective mounting on all industrial distributors 600 x 760 x 210 mm with standard and cam lock.

**Material:**

Die-cast zinc, nickel-plated, passivated

Packs of	<b>Model No. SZ</b>
1	<b>2493.000</b>

**+ Accessories:**

Multiple lock, see Cat. 31, page 890.



### Lock cover

**Prepared for lead seal**

For industrial distributor 600 x 760 x 210 mm.

**Material:**

Polyamide

Colour	Packs of	<b>Model No. SZ</b>
RAL 7035	2	<b>2476.000</b>

**German registered design  
No. M 92 07 062**



### Earth straps

For configuring a reliable earthing connection between enclosure components. Length-optimised and ready to install.

Length: 170 mm

Cross-section: 4 mm<sup>2</sup>

**Application**

- 1** Enclosure mounting plate of industrial distributors  
600 x 760 x 210 mm
- 2** Enclosure door of industrial distributors  
600 x 760 x 210 mm
- 3** Enclosure door of industrial distributors  
600 x 300 x 125 mm

Connection	Application	Packs of	<b>Model No. SZ</b>
M8 – M8	<b>1</b>	5	<b>2564.000</b>
M6 – M8	<b>2</b>	5	<b>2564.010</b>
M6 – M6	<b>3</b>	5	<b>2564.020</b>

## Other accessories



### Metal multi-tooth screws

For the round holes 4.5 mm diameter in mounting plates.

Type of screw	Dimensions mm	Packs of	Model No. SZ
Metal multi-tooth screws	BZ 5.5 x 13	300	<b>2486.500</b>
Self-tapping screws:			
• Hex screws	M5 x 10	500	<b>2504.000</b>
• Posidrive raised countersunk screws	M5 x 12	500	<b>2488.000</b>
• Pan-head screws, posidrive	M5 x 12	500	<b>2489.000</b>
• Pan-head screws, multi-tooth	M5 x 12	500	<b>2489.500</b>
Self-tapping screws	ST 4.8 x 16	300	<b>2487.000</b>



### Self-tapping screws

For the round holes 4.5 mm diameter in mounting plates.



### Self-tapping screws

Mark, drill and tighten in a single operation using electric or pneumatic tools.

For metal thickness: 0.8 – 3 mm  
Length: 16 mm  
Usable length: 9.5 mm  
Width across flats: 8 mm



### Wall mounting bracket

For the attachment of the industrial distributor IN 1510.280, 600 x 300 x 125 mm.

**Supply includes:**  
Assembly parts for mounting on the enclosure.

Material	Wall distance mm	Packs of	Model No. KL
Brass nickel-plated	8	4	<b>1580.000</b>
Sheet steel zinc-plated, passivated	8	4	<b>1590.000</b>



### Wall mounting bracket

For the attachment of the industrial distributors IN 1510.280 and IN 1076.290.

**Supply includes:**  
Assembly parts for mounting on the enclosure.

Material	Wall distance mm	Packs of	Model No. SZ
Sheet steel zinc-plated, passivated	40	1	<b>2503.000<sup>1)</sup></b>
		4	<b>2503.010</b>
	10	1	<b>2508.000<sup>1)</sup></b>
		4	<b>2508.010</b>

<sup>1)</sup> without assembly parts.



### Rain canopy

**For industrial distributors 600 x 760 x 210 mm.**

Reliable protection for outside siting – with water run-off to the rear. Easily retro-fitted.  
For detailed information see Catalogue 31, page 899.

Version	Model No. SZ
Sheet steel	<b>2502.500</b>



### Dust guard trim

To protect against deposits on the upper edge of the door and between the enclosure and the door/lid. Cut the door protection strip to length according to the enclosure width. Drill the enclosure and mount the strip using the adhesive strips and screws.

**Material:**  
Plastic, UV-resistant

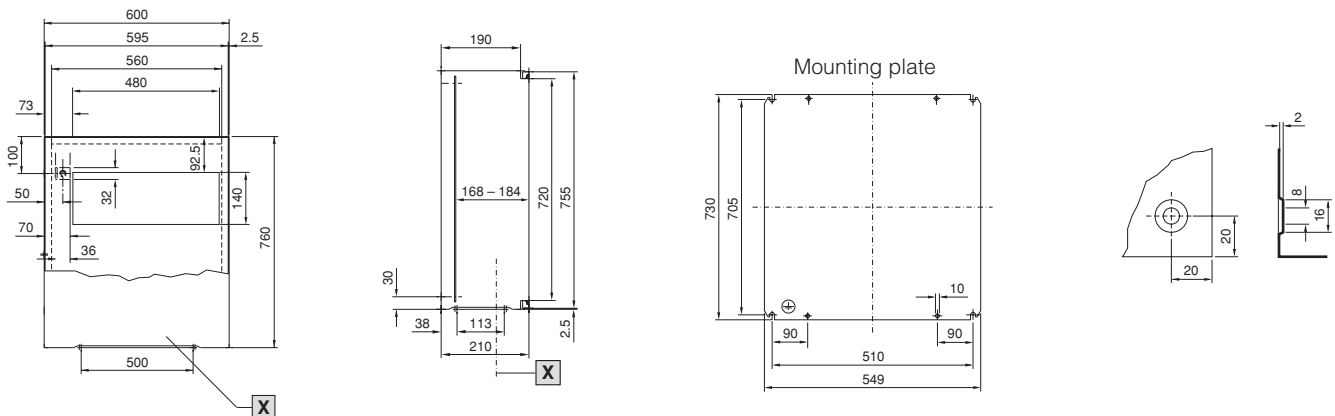
**Colour:**  
Similar to RAL 7024

Length mm	Model No. SZ
1200	2426.500

### Empty enclosure for industrial distributor

From page 7

IN 1076.290

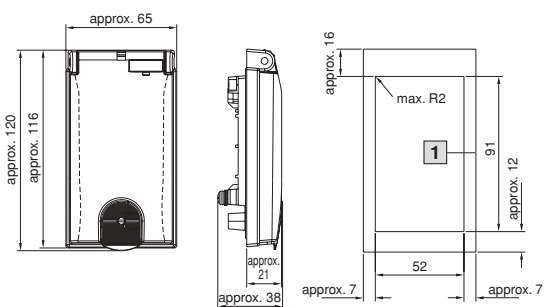


**X** Door interior view

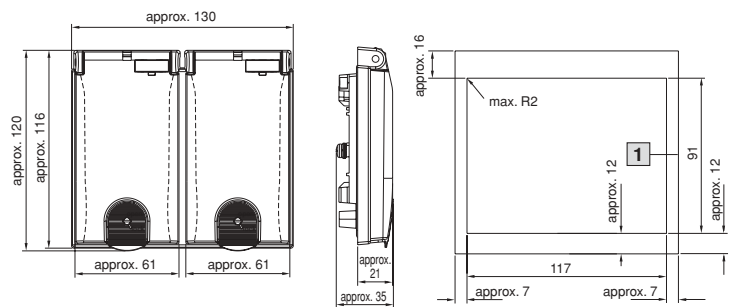
### Interface flap

From page 13

#### Interface flap, single



#### Interface flap, double



Permissible material thickness: 1 – 5 mm

**1** Outer edge of flap

# All in all – solutions from Rittal



## Industrial enclosures

Small enclosures · Compact enclosures · Large enclosures  
Products for the human/machine interface · Console systems  
Material: sheet steel, stainless steel, aluminium and plastic  
Industrial network technology · Input and signalling devices  
Solutions for EMC and Ex · Cable glands



## Power distribution



## Electronic packaging



## System climate control



## IT solutions



## Communication systems

Rittal has one of the largest ranges of enclosures available for immediate delivery. However, Rittal also supplies integrated solutions – up to Level 4. This comprises mechanical installation, power supply, electronic components, climate control and central monitoring. For all of your requirements.

Fully assembled and functional. Wherever in the world you develop and implement solutions for yourself and your customers, we are close at hand. The global alliance between production, distribution and service guarantees closeness to the customer. Worldwide!

08/05 · E152

Rittal Limited · Braithwell Way · Hellaby Industrial Estate · Hellaby · Rotherham · S Yorks S66 8QY  
Tel.: (01709) 704000 · Fax: (01709) 701217 · [www.rittal.co.uk](http://www.rittal.co.uk) · eMail: [information@rittal.co.uk](mailto:information@rittal.co.uk)



**Switch to perfection** **RITTAL**