



Rittal – Quickline Panel



Individuality as standard

Individuality as standard



These days, many customer requirements can be met directly off the shelf with standard enclosures. But for those who require something a little more individual, the Rittal service team are on hand to implement your requests.



The doors of the keyboard/operating housing are incredibly easy to remove. This means that operating panels or keyboard are secured very conveniently from the rear in just a few actions.



The hinges of the keyboard housing make it all possible – easy opening for population and maintenance, and problem-free swapping of the door hinges.

Exclusivity available on request

Our customers' products are as versatile as the users' requirements. Design, ergonomic, range of combination options, cost reduction – are essential keywords. The most obvious way to meet the individual require-

ments is to offer a special service: Rittal customised solutions for modern packaging for industrial controllers.

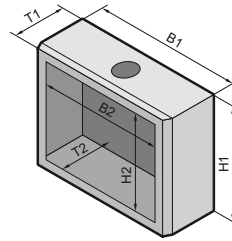


Rittal is fully geared to innovation. This means staying close to our customers and the market requirements at all times. Top quality, a balanced range of prices and perfectly adapted to match the design of machines

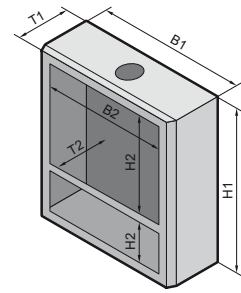
and systems. The three examples show how your requirements are met individually. Allow yourself to be inspired. We always have a solution.

Quickline panel

Operating housings



CP 6690.500



CP 6691.500

The Command Panel for every occasion

- Support arm cut-out may be at the top or bottom by simply refitting:
 - Door with one aperture: Simply rotate, and swap over the door hinge if necessary.
 - Door with two apertures: Remove the door, rotate the enclosure, exchange the lock parts, and re-attach the door.
- Standard support arm cut-out CP-L Ø 130 mm. May be optionally extended to the larger support arm system CP-XL/CP-Q simply by drilling 4 holes.

- Multi-function hinges:
 - Simple, fast assembly of the operating panel.
 - Door easily removable and refitted for servicing purposes.
 - Interchangeable door hinge for symmetrical enclosures.

Direct command panel mounting:

Door with one aperture:

- **Siemens Sinumerik:**
 - OP 010,
 - OP 010 C,
 - OP 012,
 - OP 015.

- **Siemens Simatic:**
 - Panel PC 477, 677B (12" keyboard, 15" touchscreen),
 - Panel PC 577B (15" touchscreen),
 - MP 277B 10" keyboard,
 - MP 377B 12" keyboard, 15" touchscreen.

Door with two apertures:

- MCP 483C,
- MCP 483,
- PP 012.

Material:

Enclosure and door:
Sheet steel

Surface finish:

Dipcoat primed, powder-coated in textured RAL 7035 on the outside

Protection category:

IP 55

Supply includes:

Enclosure with cut-out and reinforcement, prepared for support arm system CP-L Ø 130 mm, door with foamed seal, threaded bolts in all 4 corners for flexible interior installation via mounting brackets (see table).



Rittal service:

Other dimensions and apertures for different controllers available on request.

Detailed drawing,

see page 7.

Width (B1) mm	575		Cat. 32, page
Height (H1) mm	383	538	
Depth (T1) mm	191		
For installation panel W x H	482.6 mm (19") x 310 mm (7 U)	482.6 mm (19") x 310 mm (7 U) + 482.6 mm (19") x 155 mm (3.5 U)	
Cut-out size B2 x H2	450 mm x 290 mm	450 mm x 290 mm + 450 mm x 137.5 mm	
Installation depth (T2) mm	185		
Support arm connection	Top	Top	
Model No. CP	6690.500	6691.500	
Accessories			
Mounting bracket for the installation of punched section with mounting flange and TS support strips	6205.100	6205.100	1004
Punched section with mounting flange	horizontal	8612.160	993
	vertical	–	8612.150
TS mounting bars	horizontal	4696.000	997
	vertical	4594.000	4695.000



Fast service and good access

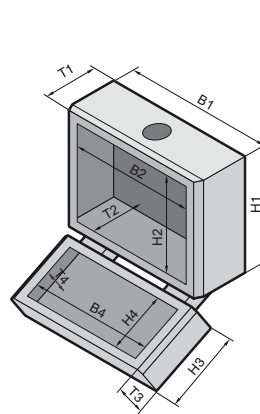
- Simple door opening: Release the hinge pins from the outside with a screwdriver, and it's done.
- Easy door removal: Open the door, release the hinge pins and remove.



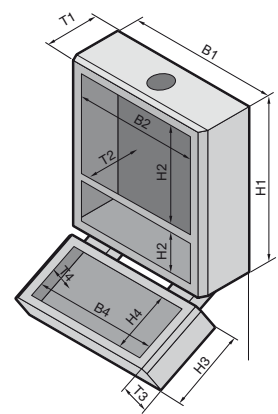
Perfect interior installation

- Use of TS 8 system accessories: TS punched sections with mounting flanges and TS supports strips, for vertical or horizontal installation (see table).
- Simple attachment with mounting bracket CP 6205.100.

Operating and keyboard housing



CP 6690.600
CP 6690.610



CP 6691.600
CP 6691.610

The keyboard / operating housing to suit all applications

- Keyboard housing is quickly and easily opened for servicing.
- Operating and keyboard housing connected via an enclosure duct connector
 - The angle between the operating and keyboard housing is 120°.
 - Also used for cable routing.
- Standard support arm cut-out CP-L Ø 130 mm. May be optionally extended to the larger support arm system CP-XL/CP-Q simply by drilling 4 holes.

- Multi-function hinges:
 - Simple, fast assembly of the operating panel.
 - Door easily removable and refitted for servicing purposes.
 - Interchangeable door hinge for symmetrical enclosures.

Direct command panel mounting:

Door with one aperture:

- **Siemens Sinumerik:**
 - OP 010,
 - OP 010 C,
 - OP 012,
 - OP 015.

Siemens Simatic:

- Panel PC 477B, 677B (12" keyboard, 15" touchscreen),
- Panel PC 577B (15" touchscreen),
- MP 277B 10" keyboard,
- MP 377B 12" keyboard, 15" touchscreen.

Door with second or keyboard housing cut-out:

- MCP 483C,
- MCP 483,
- PP 012.

Material:

Enclosure and door:
Sheet steel

Surface finish:

Dipcoat primed, powder-coated in textured RAL 7035 on the outside

Protection category:

IP 55

Supply includes:

Enclosure with cut-out and reinforcement, prepared for support arm system CP-L Ø 130 mm, door with foamed seal, two enclosure duct connectors, threaded bolts in all 4 corners for flexible interior installation via mounting brackets (see table).



Rittal service:

Other dimensions and apertures for different controllers available on request.

Detailed drawing,

see page 7.

Width (B1) mm	575			Cat. 32, page
Height (H1) mm operating housing	383	538		
Height (H3) mm keyboard housing	228			
Depth (T1) mm operating housing	191			
Depth (T3) mm keyboard housing	90,5			
For installation panel W x H operating housing	482.6 mm (19") x 310 mm (7 U)	482.6 mm (19") x 310 mm (7 U) + 482.6 mm (19") x 155 mm (3.5 U)		
For installation panel W x H keyboard housing	482.6 mm (19") x 155 mm (3.5 U)			
Cut-out dimensions B2 x H2 operating housing	450 mm x 290 mm	450 mm x 290 mm + 450 mm x 137.5 mm		
Cut-out dimensions B4 x H4 keyboard housing	450 mm x 137.5 mm	450 mm x 137.5 mm		
Installation depth (T2) operating housing	185 mm			
Installation depth (T4) keyboard housing	87 mm			
Support arm connection	Top	Bottom	Top	Bottom
Model No. CP	6690.600	6690.610	6691.600	6691.610
Accessories				
Mounting bracket for the installation of punched section with mounting flange and TS support strips	6205.100		6205.100	1004
Punched section with mounting flange	horizontal	8612.160	8612.160	993
	vertical	–	8612.150	993
TS mounting bars	horizontal	4696.000	4696.000	997
	vertical	4594.000	4695.000	997



Support arm connection

- Standard support arm cut-out CP-L Ø 130 mm. May be optionally extended to the larger support arm system CP-XL/CP-Q simply by drilling 4 holes.
- Enclosure duct connector may be used for the cable entry.



Enclosure attachment CP-L

- for support arm connection Ø 130 mm. For rigid fastening of the enclosure to the support arm system.



Pedestal, open

With cable duct open

- for inserting cables with pre-assembled connectors
- for optimum service access

Head plate with accommodation for:

- CP-L housing coupling for support arm connection \varnothing 130 mm, CP 6525.0X0, see Cat. 32, page 262
- CP-L enclosure attachment for support arm connection \varnothing 130 mm, CP 6525.5X0, see Cat. 32, page 256

Material:

Pedestal tube: Steel, spray finished in RAL 7035
Cover section: Plastic RAL 7030

Design:

400 x 400 mm, 10 mm thick base plate, with 4 x \varnothing 11 mm mounting holes.
Pedestal tube W x H = 86 x 73 mm, 3 mm thick, head and base plates welded on.

Supply includes:

Assembly parts and cover section.

- 1 **Cover section** just clips on
- 2 With **cable clamping bracket**



1



2

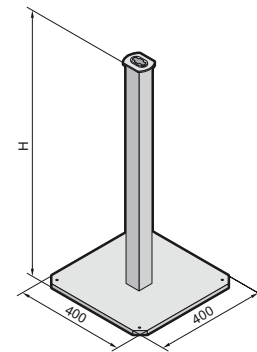
Height (H) mm	Weight kg	Model No. CP
1093	24	6215.000
as per specifications	–	6215.100¹⁾

¹⁾ Delivery times available on request.

+ Accessories:

Cable ties SZ 2597.000, see Cat. 32, page 1066.

Detailed drawing, see Cat. 32, page 1218.



Mounting bracket for interior installation

For installing punched sections with mounting flanges and support strips in:

- CP horizontal/vertical Quickline Panel
- CP horizontal/vertical Comfort Panel from 74 mm installation depth

or for installing in:

- CP Optipanel from an installation depth of 100 mm
- CP VIP 6000 from an installation depth of 155 mm

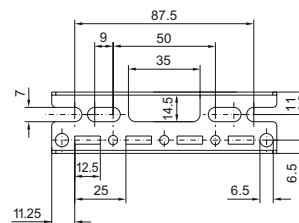
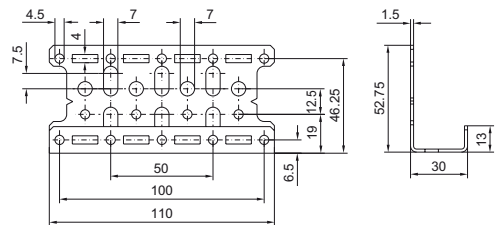
Material:

Sheet steel, zinc-plated, passivated

Supply includes:

Assembly parts.

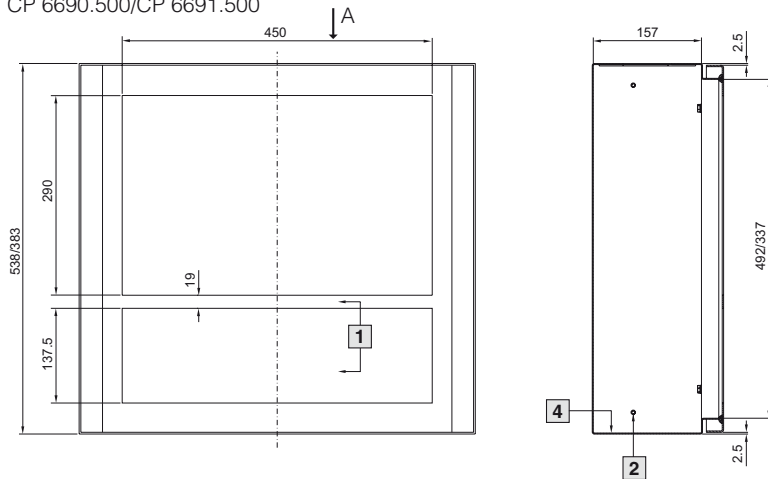
Packs of	Model No. CP
4	6205.100



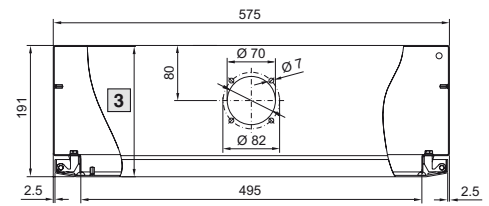
		Quickline panel		Cat. 32, Page
		CP 6690.500, CP 6690.600, CP 6690.610	CP 6691.500, CP 6691.600, CP 6691.610	
Punched sections with mounting flanges	horizontal	8612.160	8612.160	993
	vertical	–	8612.150	
Mounting bars	horizontal	4696.000	4696.000	997
	vertical	4594.000	4695.000	

Quickline panel

CP 6690.500/CP 6691.500



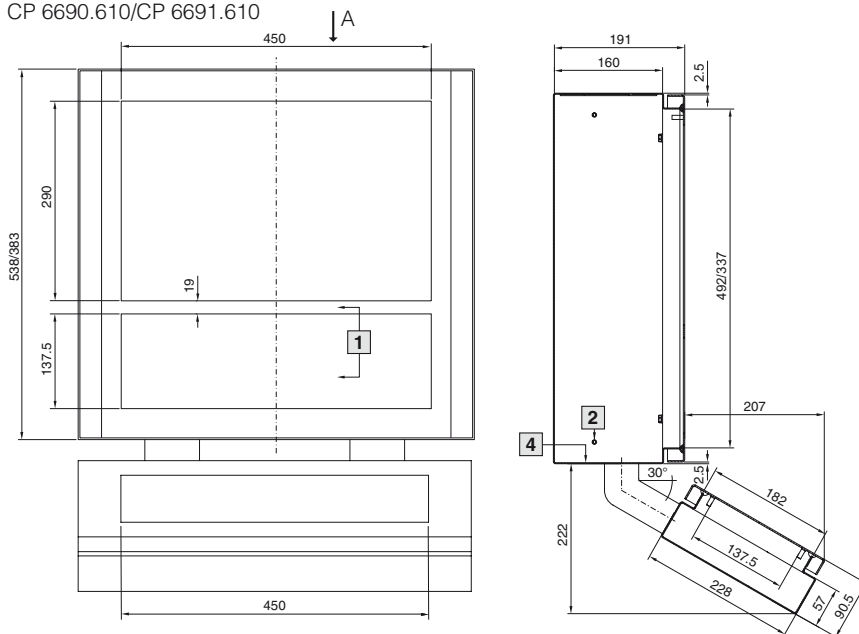
View A



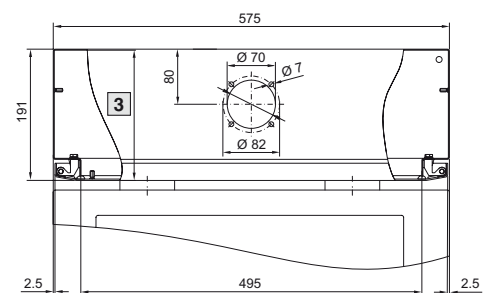
- 1** Does not apply to CP 6690.500
- 2** Welded stud for the attachment of mounting bracket CP 6205.100
- 3** Max. installation depth 185 mm
- 4** Reinforcement plate always on the support arm connection point

Quickline panel with keyboard housing

CP 6690.600/CP 6691.600
CP 6690.610/CP 6691.610



View A
for CP 6690.600/CP 6691.600



- 1** Not applicable to CP 6690.600/CP 6690.610
- 2** Welded stud for the attachment of mounting bracket CP 6205.100
- 3** Max. installation depth 185 mm
- 4** Reinforcement plate always on the support arm connection point

All in all – solutions from Rittal

Rittal has one of the largest ranges of enclosures available for immediate delivery. However, Rittal also supplies integrated solutions – up to Level 4. This comprises mechanical installation, power supply, electronic components, climate control and central monitoring. For all of your requirements. Fully assembled and functional.

Wherever in the world you develop and implement solutions for yourself and your customers, we are close at hand. The global alliance between production, distribution and service guarantees closeness to the customer. Worldwide!



Queries and information

We will be happy to send you further information or advise you in person.

Please send me the following brochure(s):

- Catalogue 32
- Innovations 2008

From:

Surname / first name

Company / customer no.

Department / function

Address

Telephone

E-mail

08/08 • E184

Rittal GmbH & Co. KG · Postfach 1662 · D-35726 Herborn
Telephone: +49(0)2772 505-0 · Telefax: +49(0)2772 505-2319 · eMail: info@rittal.de · www.rittal.com



Switch to perfection **RITTAL**